



# Indoor Selectable-Output Low Frequency Sounders and Low Frequency Sounder Strobes

*System Sensor L-Series audible visible notification products are rich with features guaranteed to maximize profits with lower current draw and modern aesthetics.*

## Features

- 520 Hz  $\pm$  10% square wave tone, NFPA compliance
- Full candela range plus High/Low tone options to optimize current draw for a wide variety of applications
- Compact, standard, and round ceiling options
- Field-selectable candela settings on wall units: 15, 30, 75, 95, 110, 135, and 185
- Rotary switch for High and Low, Temp3 and Temp4 settings
- Plug-in design with minimal intrusion into the back box
- Mounting plate shorting spring checks wiring continuity before device installation
- Electrically compatible with legacy SpectrAlert and SpectrAlert Advance devices (Direct replacement for HW/R-LF and P2R/WH-LF)
- Compatible with MDL3 sync module
- Sounders listed for ceiling and wall mounting
- Sounder Strobe listed for wall mounting
- Updated modern aesthetics

## Agency Listings



The L-Series offers the most versatile and easy-to-use line of low frequency sounder and low frequency sounder strobes in the industry. With white and red plastic housings, listed for wall and ceiling mounting, L-Series Low Frequency can meet virtually any application requirement.

The low frequency sounder and low frequency sounder strobes were designed to address the NFPA 72 sleeping space requirements that require a low frequency notification appliance that operates within frequency range of 520 Hz  $\pm$  10% and is of a square wave tone. Like the entire L-Series product line they include a variety of features that increase their application versatility while simplifying installation. All devices feature plug-in designs with minimal intrusion into the back box, making installations fast and foolproof while virtually eliminating costly and time-consuming ground faults.

To further simplify installation and protect devices from construction damage, L-Series uses a universal mounting plate with an onboard shorting spring, so installers can test wiring continuity before the device is installed.

Installers can also easily adapt devices to suit a wide range of application requirements using field-selectable candela settings, 24-volt operation, and a rotary switch for 520 Hz low frequency sounder tones.

# L-Series Specifications

## Architect/Engineer Specifications

### General

L-Series low frequency sounder and low frequency sounder strobes shall mount to a standard 4 x 4 x 1½-inch back box, 4-inch octagon back box, or double-gang back box. Two-wire products shall also mount to a single-gang 2 x 4 x 1⅞-inch back box. A universal mounting plate shall be used for mounting products. The notification appliance circuit wiring shall terminate at the universal mounting plate. Also, L-Series products, when used with the Sync•Circuit™ Module accessory, shall be powered from a non-coded notification appliance circuit output and shall operate on a nominal 12 or 24 volts. When used with the Sync•Circuit Module, 24-volt-rated notification appliance circuit outputs shall operate between 16.5 and 33 volts. Indoor L-Series products shall operate between 32 and 120 degrees Fahrenheit (0°C to 49°C) from a regulated DC or full-wave rectified unfiltered power supply. Low Frequency Sounder strobes shall have field-selectable candela settings including 15, 30, 75, 95, 110, 135, 185. The field selectable tones will sound within the frequency range of 520 Hz ±10% square wave tone and have a permanent marking on the housing that reads "low frequency sounder".

### Low Frequency Sounder

The low frequency sounder shall be a System Sensor L-Series Model \_\_\_\_\_ listed to UL 464 and shall be approved for fire protective service. The low frequency sounder and the Sync•Circuit™ MDL3 Module accessory, if used, shall be powered from a notification appliance circuit output and shall operate on a nominal 24 volts (includes fire alarm panels with built-in sync). When used with the Sync•Circuit Module MDL3, 24-volt rated notification appliance circuit outputs shall operate between 16.5 to 33 volts. If the notification appliances are not UL 9th edition listed with the corresponding panel or power supply being used, then refer to the compatibility listing of the panel to determine maximum devices on a circuit. The low frequency sounder has an option to switch between temporal three or temporal four pattern, non-temporal (continuous) pattern and coded supply within the frequency range of 520Hz ± 10% square wave tone. The low frequency sounder shall operate on a coded or non-coded power supply with high and low volume settings.

### Low Frequency Sounder Strobe Combination

The low frequency sounder strobe shall be a System Sensor L-Series Model \_\_\_\_\_ listed to UL 1971 and UL 464 and shall be approved for fire protective service. The low frequency sounder strobe shall be wired as a primary-signaling notification appliance and comply with the Americans with Disabilities Act requirements for visible signaling appliances, flashing at 1 Hz over the strobe's entire operating voltage range. The strobe light shall consist of a xenon flash tube and associated lens/reflector system. The sounder shall have an option to switch between a temporal three or temporal four pattern and a non-temporal (continuous) pattern. These options are set by a multiple position switch. The low frequency sounder on low frequency sounder strobe models shall operate on a non-coded power supply with high and low volume settings. The field selectable tones will sound within the frequency range of 520 Hz ±10% square wave tone.

### Synchronization Module

The module shall be a System Sensor Sync•Circuit model MDL3 listed to UL 464 and shall be approved for fire protective service. The module shall synchronize SpectrAlert strobes at 1 Hz and low frequency sounder at temporal three. Also, while operating the strobes, the module shall silence the low frequency sounder on low frequency sounder strobe models over a single pair of wires. The module shall mount to a 4<sup>11/16</sup> x 4<sup>11/16</sup> x 2<sup>1/8</sup>-inch back box. The module shall also control two Class B circuits or one Class A circuit. The module shall synchronize multiple zones. Daisy chaining two or more synchronization modules together will synchronize all the zones they control. The module shall not operate on a coded power supply.

## Physical/Electrical Specifications

<b>Standard Operating Temperature</b>	32°F to 120°F (0°C to 49°C)
<b>Humidity Range</b>	10 to 93% non-condensing
<b>Frequency Range</b>	520 Hz ± 10%
<b>Strobe Flash Rate</b>	1 flash per second
<b>Nominal Voltage Low Frequency Sounder</b>	Regulated 24 DC/FWR <sup>1</sup>
<b>Nominal Voltage Range Low Frequency Sounder Strobe</b>	Regulated 24 VDC/FWR <sup>1</sup>
<b>Operating Voltage Range</b>	16 to 33 V (24 V nominal)
<b>Operating Voltage Range MDL3 Sync Module</b>	16.5 to 33 V (24 V nominal)
<b>Input Terminal Wire Gauge</b>	12 to 18 AWG

## Dimensions

<b>Wall Sounder Strobe (including lens)</b>	5.6" L x 4.7" W x 1.9" D (142 mm L x 119 mm W x 49 mm D)
<b>Standard Wall Sounder</b>	5.6" L x 4.7" W x 1.5" D (142 mm L x 119 mm W x 38 mm D)
<b>Compact Wall Sounder</b>	5.25" L x 3.46" W x 1.5" D (133mm L x 88mm W x 38mm D)
<b>Ceiling Sounder</b>	6.8" diameter x 1.4" high (173mm diameter x 36mm high)
<b>Standard Wall Sounder with SBBRL/SBBWL Surface Mount Back Box</b>	5.7" L x 4.8" W x 3.3" D (145 mm L x 120 mm W x 87 mm D)
<b>Compact Wall Sounder with SBBGRL/SBBGWL Surface Mount Back Box</b>	5.4" L x 3.6" W x 3.0" D (137 mmL x 91mm W x 76 mm D)
<b>Low Frequency Ceiling Sounder with SBBCRL/SBBCWL Surface Mount Back Box</b>	6.9" diameter x 3.9" high (175mm diameter x 99mm high)

### Notes:

1. Full Wave Rectified (FWR) voltage is a non-regulated, time-varying power source that is used on some power supply and panel outputs.

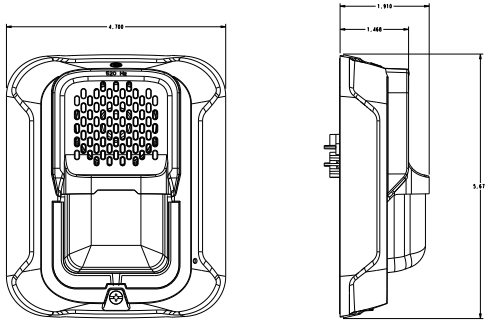
## UL Current Draw and Sound Output Data

Low Frequency Wall Sounder Strobe Current Draw (mA) and Sound Output (dBA)																		
Pos Tone Volume Setting			Current Draw (mA)														Sound Output (dBA)	
			16-33 VDC							16-33 FWR							16-33 V	
			15cd	30cd	75cd	95cd	110cd	135cd	185cd	15cd	30cd	75cd	95cd	110cd	135cd	185cd	DC	FWR
1	Temporal 3	High	98	115	158	173	182	212	266	136	153	188	206	228	258	304	80	80
2	Temporal 3	Low	98	102	141	162	173	202	255	150	150	176	194	216	242	280	76	76
3	Temporal 4	High	98	108	137	151	178	202	252	200	198	169	188	212	242	290	80	80
4	Temporal 4	Low	102	104	122	136	163	187	237	176	174	154	173	197	227	275	76	76
5	Continuous	High	141	158	198	216	234	264	305	190	207	249	268	289	321	368	80	80
6	Continuous	Low	120	128	179	196	215	244	285	165	182	226	244	266	297	342	76	76

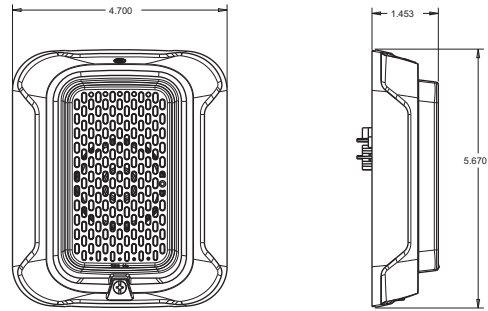
UL Max. Low Frequency Sounder Current Draw (mA RMS)						
Pos Tone Volume Setting			Current Draw (mA)		Sound Output (dBA) Reverberant	
			16-33 Volts		16-33 Volts	
			DC	FWR	DC	FWR
1	Temporal 3	High	108	150	80	80
2	Temporal 3	Low	78	76	76	76
3	Temporal 4	High	111	151	80	80
4	Temporal 4	Low	80	76	76	76
5	Continuous	High	111	151	80	80
6	Continuous	Low	80	76	76	76
7	Coded	High	111	151	80	80
8	Coded	Low	80	76	76	76

\*NOTE: For coded tones, temporal coding must be provided by the NAC. If the NAC voltage is held constant, the sounder output will remain constantly on. Coded ratings provided are for continuous voltage.

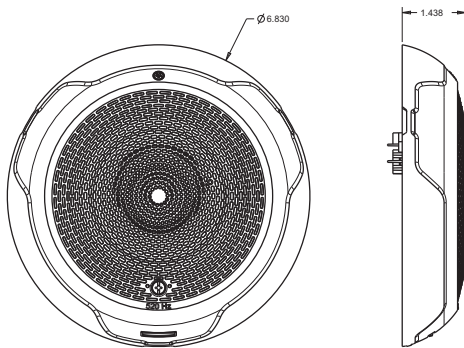
## L-Series Dimensions



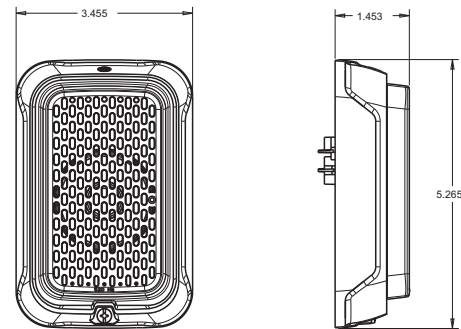
Wall LF Sounder Strobe



Wall LF Sounder



Ceiling LF Sounder



Compact Wall LF Sounder

Part No.		Description
Red	White	
<b>Low Frequency Sounder Strobes</b>		
P2RL-LF	P2WL-LF	LF Sounder Strobe, Wall
<b>Low Frequency Sounders</b>		
HRL-LF	HWL-LF	LF Sounder, Wall
HGRL-LF	HGWL-LF	Compact LF Sounder, Wall
HCRL-LF	HCWL-LF	LF Sounder, Ceiling
<b>Accessories</b>		
MDL3R	MDL3W	Sync•Circuit™ Module, UL-listed
SBBRL	SBBWL	Surface Mount Back Box, Wall
SBBCRL	SBBCWL	Surface Mount Back Box, Ceiling
SBBGRL	SBBGWL	Surface Mount Back Box, Wall, Compact

System Sensor® is a registered trademark and Sync•Circuit™ is a trademark of Honeywell International, Inc.



3825 Ohio Avenue • St. Charles, IL 60174  
Phone: 800-SENSOR2 • Fax: 630-377-6495

©2019 System Sensor.  
Product specifications subject to change without notice. Visit [systemsensor.com](http://systemsensor.com) for current product information, including the latest version of this data sheet.  
AVDS910-01 • 10/1/2019